

# DNA™ 108

Solar for Innovators

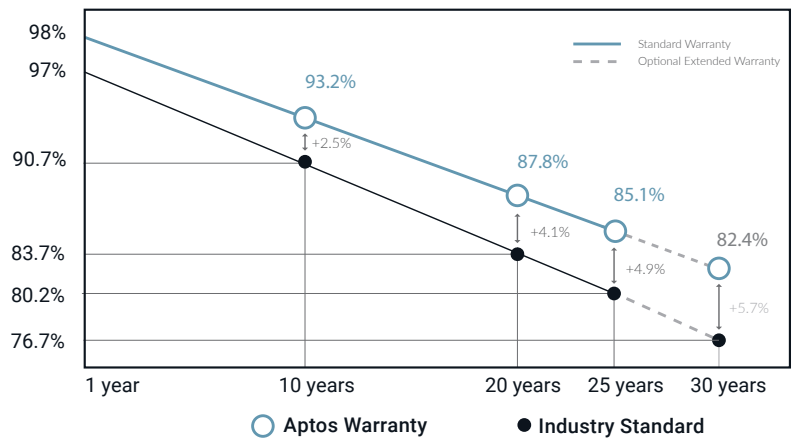
Residential | Commercial



## Designed & Engineered in Silicon Valley 400W | 395W | 390W

Our DNA Split Cell Series uses advanced selective emitter PERC technology with thin film layers to improve heat tolerance, increase photon capture, minimize resistive loss, and use 5% more of the available active area for optimal power performance. Our panels exceed IEC standards and come with an industry leading, 30-year warranty.

### Linear Performance Warranty



### Features



#### Advanced Technology

Patented DNA™ technology boosts power performance & module efficiency



#### Maximum Panel Density

Advanced split cell technology with 10 ultra-thin busbars allows for less resistance and more photon capture



#### Durable Design

Robust product design is resilient in extreme weather. Up to 5400 Pa snow load and 5400 Pa wind load

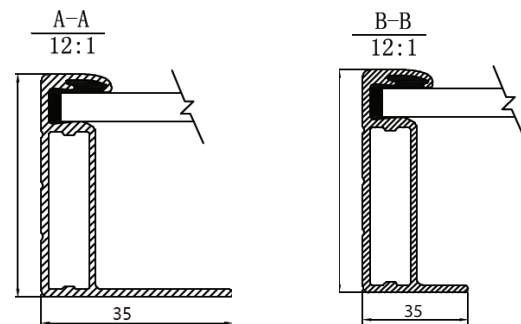
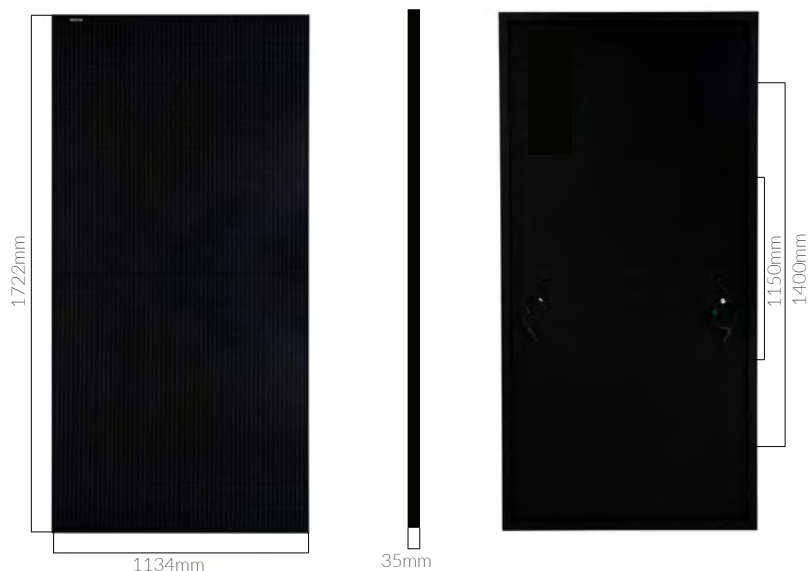


#### A Safe Investment

Industry leading 30 year warranty



3140 De La Cruz Blvd., Ste 200  
Santa Clara, CA 95054  
www.aptosolar.com | info@aptosolar.com



## Electrical Specifications

	DNA-108-MF10-390W	DNA-108-MF10-395W	DNA-108-MF10-400W
STCrated Output $P_{mpp}$ (W)	390W	395W	400W
Module Efficiency	19.97%	20.20%	20.47%
Open Circuit Voltage $V_{oc}$ (V)	36.54	36.74	36.94
Short Circuit Current $I_{sc}$ (A)	13.5	13.55	13.6
Rated Voltage $V_{mpp}$ (V)	28.02	28.27	28.46
Rated Current $I_{max}$ (A)	10.35	10.40	10.47

Standard Test Conditions for front-face of panel: 1000 W/m<sup>2</sup>, 25°C, measurement uncertainty  $\leq 3\%$

## Mechanical Properties

Cell Type	Monocrystalline
Glass	3.2mm, anti-reflection coating, high transmission, low iron, tempered glass
Frame	Anodized Aluminum Alloy
Junction Box	IP68
Dimensions	1722 X 1134 X 35 mm
Output Cable	4mm <sup>2</sup> (EU)12AWG,39.37in.(1200mm)
Weight	48.5lbs.(22kg)
Cable Length	1200mm
Encapsulant	POE

## Temperature Coefficients

Temperature Coefficients $P_{mpp}$	-0.35%/°C
Temperature Coefficients $I_{sc}$	+0.048%/°C
Temperature Coefficients $V_{oc}$	-0.28%/°C
Nominal Operating Cell Temperature (NOCT)	45°C

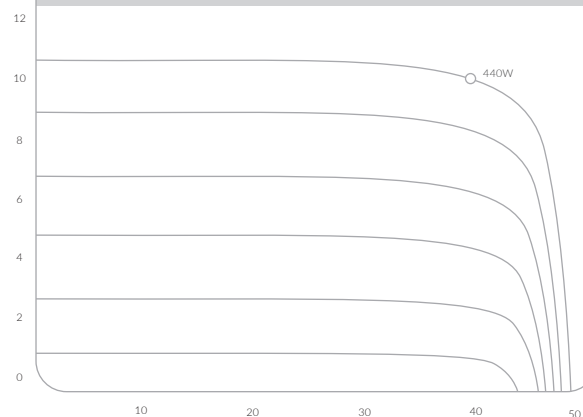
## Test Operating Conditions

Maximum Series Fuse	25A
Maximum System Voltage	1,500 VDC (UL&IEC)
Maximum Load Capacity (Per UL 1703)	5400 PA Snow Load / 5400 Pa Wind Load
Fire Performance Class	Class C/Type 1,2

## Packaging Configuration

Number of Modules per Pallet	31
Number of Pallets per 40ft. Container	24
Pallet Dimensions	2030 X 1220 X 1200
Pallet Weight (kg)	766
Modules per 40ft. Container	806

## I-V Curve



## Certifications

